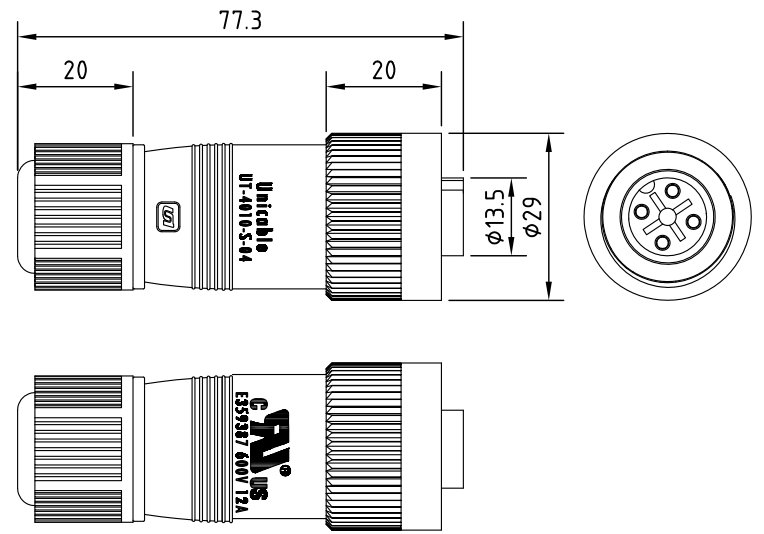
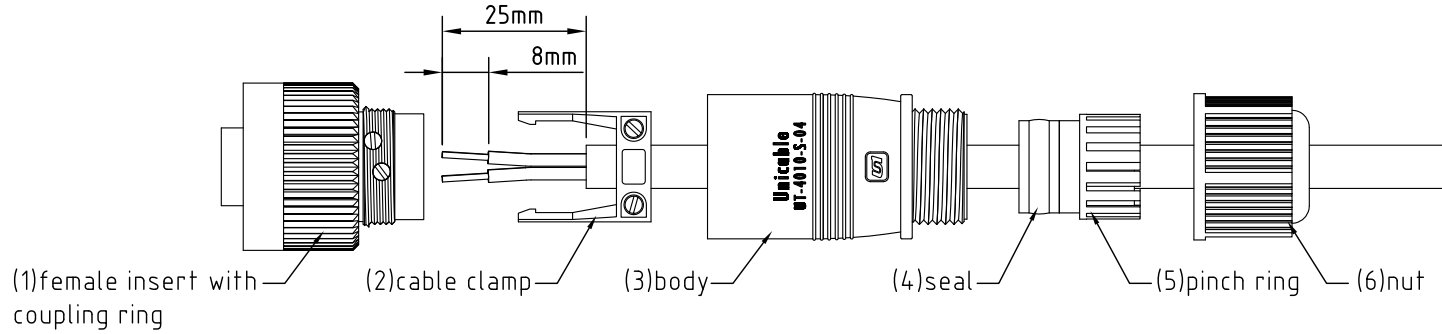


Part No.: UT-4010-S-04-X

seal  
 1-cable OD:7.1-9mm  
 2-cable OD:4-7mm  
 3-cable OD:9.1-10.5mm

REV.	Description	Date
1	upgrade drawing	2014/2/27
2	coupling ring dimension revise	2019/4/17



Specification

General Characteristics  
 Locking system: Screw  
 Termination: Screw  
 Shell protection: IP67  
 Wire gauge: 18-14

Electrical Characteristics  
 Rated Voltage: 600V  
 Rated Current: 12A  
 Contact Resistance: <10mΩ  
 Insulation Resistance: >10MΩ  
 UL1977

7	terminal	gold plated brass	4
6	nut	PA (UL 94V-0)	1
5	pinch ring	PA (UL 94V-0)	1
4	seal	TPR	1
3	body	PA (UL 94V-0)	1
2	cable clamp	PA (UL 94V-0)/SUS	1
1	female insert	PA (UL 94V-0)	1
Item	Description	Material	Q'TY

RoHS



**Unicable Co., Ltd. 國陽電業有限公司**  
 5F., No. 111-33, Sec. 4, San Ho Road., San Chung Dist., New Taipei City, Taiwan  
<http://www.unicable.com.tw> TEL:+886-2-2286-2122 FAX:+886-2-2286-1010

DATE	2019/4/17	PART NO.	UT-4010-S-04
DWN	GINA	REV.	2
CHK			
UNIT	MM		

ITEM	In-Field Installable Circular Connector
------	---